

BEER PUMPS

- Designed for long draw systems
- Maintain internal keg pressure with CO₂ at brewery recommendation
- Drive pumps using air or CO₂ pressure
- If CO₂ must plumb exhaust pressure outside of cooler into well ventilated area
- Great for use with low pressure serving vessels

PART NO.	DESCRIPTION
MP-090	Shurflo® beer pump
MP-093	Flojet® beer pump
G56-100	Flojet® flow reversal valve



MP-090



MP-093

PRO-MAX™ BEER PUMP PANELS

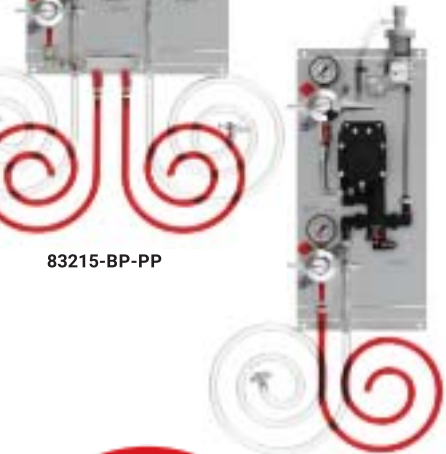
INTEGRATED PRO-MAX™ AND BEER PUMP PANELS

Assemblies include PRO-MAX-MM Profit Maximizer™ and Flojet® Beer Pumps pre-mounted and pre-plumbed. All stainless steel contact components.

PART NO.	DESCRIPTION	PANEL SIZE	SS NIPPLE
83115-BP-PP	1 pressure / 1 product	12"W x 23"H	3/8" I.D.
83215-BP-PP	2 pressure / 2 products	23"W x 23"H	3/8" I.D.

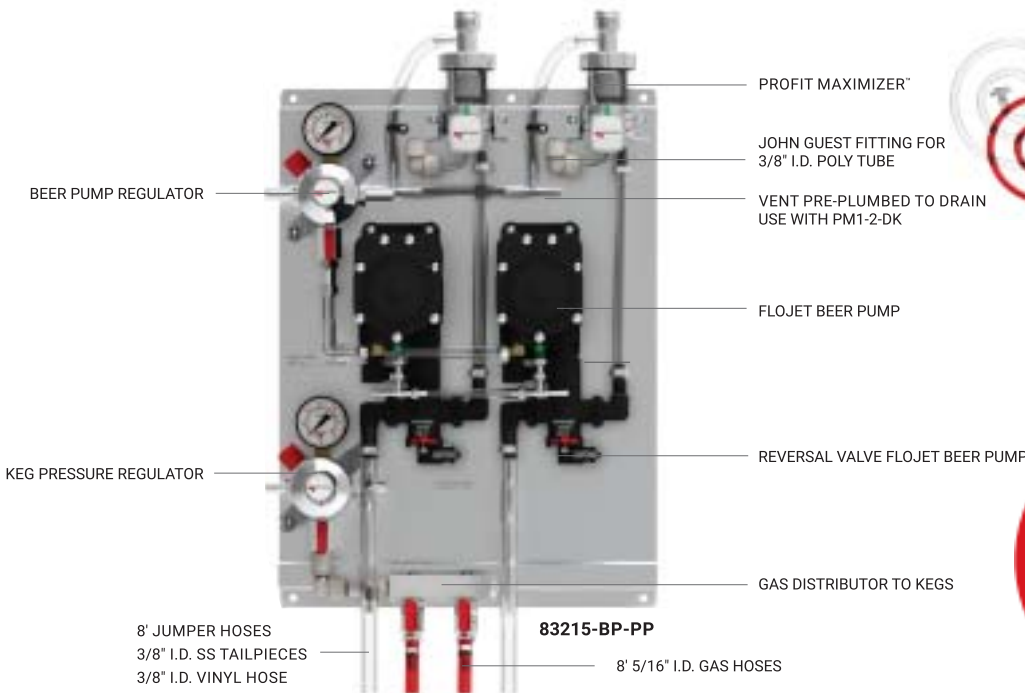


G56-100



83215-BP-PP

83115-BP-PP



BEER PUMPS
Great for long runs
and substantial lifts

